



Floor Mount Pop-Up Box



DATA SHEET

☎ +44 20 8895 6455
✉ info@webbinfra.com
🌐 www.webbinfra.com

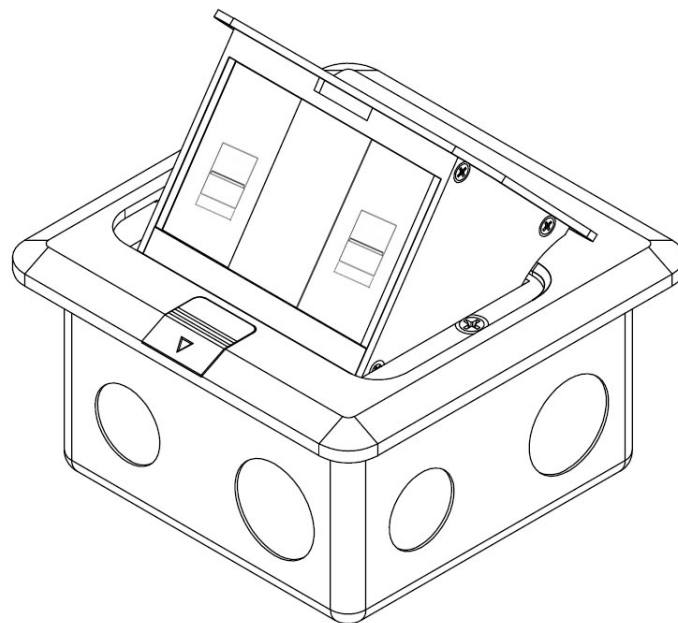
Floor mount pop-up box

Webb floor mount pop-up boxes have been designed to be seamlessly integrated into any type of floor or countertop to provide a convenient source of power or data. The box is modular in design making it quick and easy to install and is an ideal solution for offices or home installations.

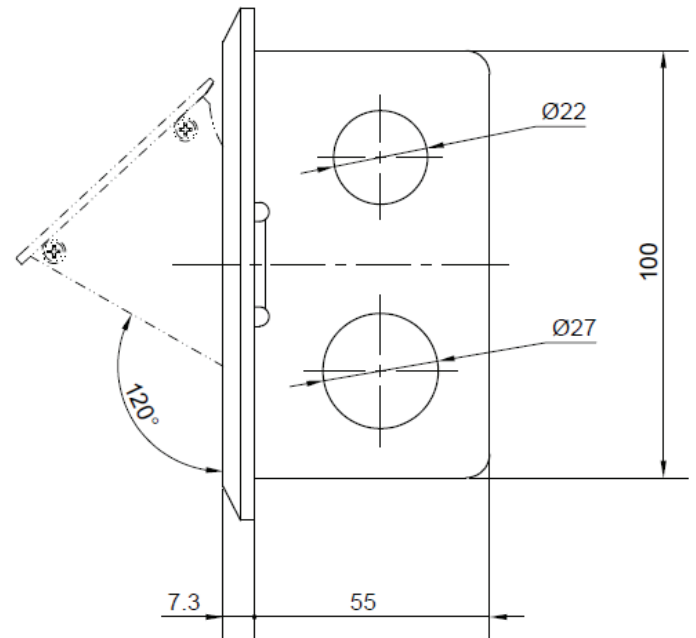
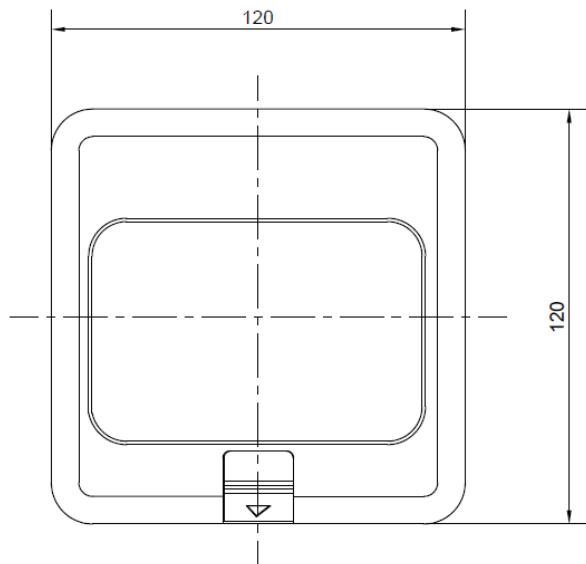
Technical Specifications

- Material: aluminium
- Finishing: silver coating
- Integrated with a pop-up mechanism
- Suitable for the countertop, access floor, and screed/concrete type mounting
- Integrated slide-to-open button
- Angle of opening: 120°
- Integrated modules (type 45): 2 x RJ45 CAT6 Euro modules and 1x blank Euro module
- Included with a back box and screws for the cover panel

Technical drawings



**Specifications are subject to change without notice based on technical recommendations and related product enhancements*

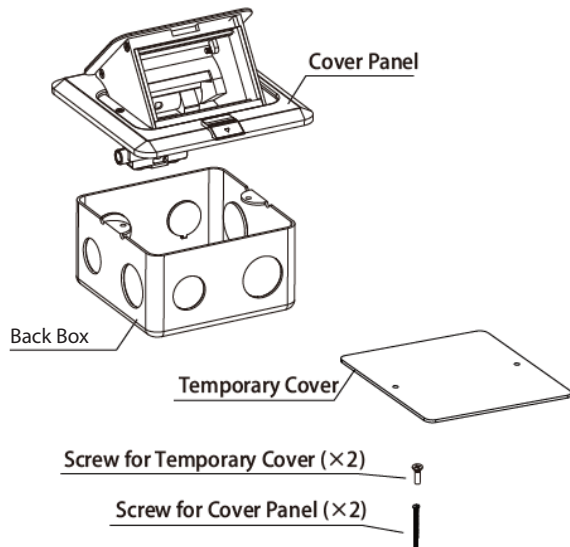


Ordering Information

Part number	Description
C.10.FMB.A.45.2xC6.1xB	Floor mounted pop-up box, aluminium body with 2xRJ45 CAT6 modules+1 blank plate

**Specifications are subject to change without notice based on technical recommendations and related product enhancements*

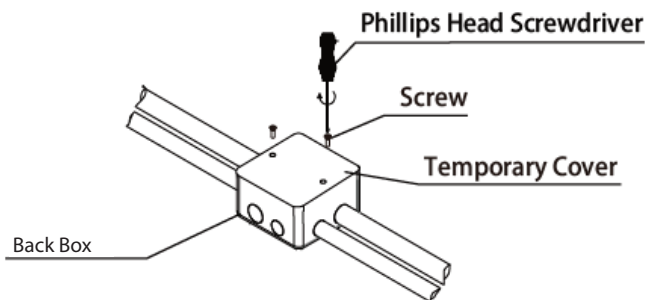
User Manual



Safety Instructions

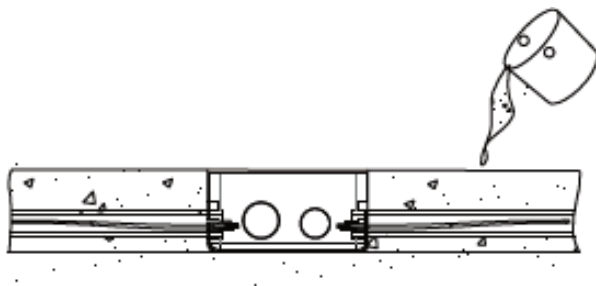
- For indoor use only
- Only licensed professionals or electrical contractors should install the floor box
- Do not insert foreign objects into the socket
- Avoid liquid spills into the outlet

Installation Steps



Step 1: Location and positioning of the box before screeding

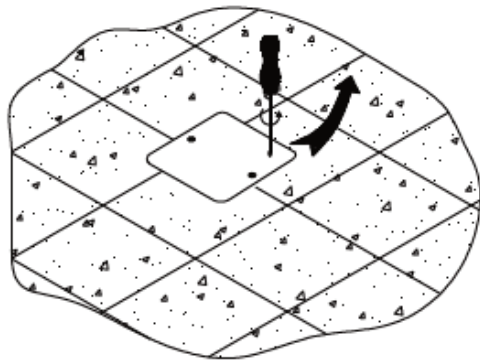
Place the back box in the predetermined location and feed the wiring conduit through the knockouts. Mount the temporary cover over the box to prevent debris from entering the box prior to pouring the concrete.



Step 2: Pouring the concrete/screeding

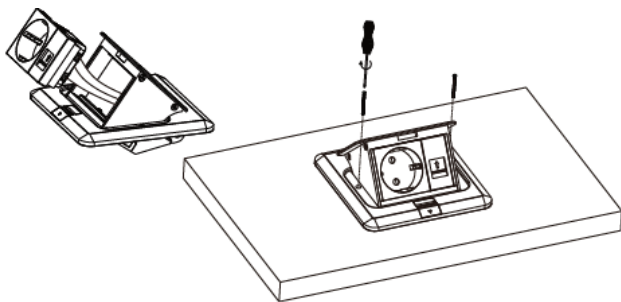
Pour the concrete patch around the perimeter of the spacers and level it with the concrete floor.

**Specifications are subject to change without notice based on technical recommendations and related product enhancements*



Step 3: Removal of the temporary cover

Once the concrete has cured, pave the upper layer surrounding the box with the desired floor covering. Make sure the box surface layer is retained with an opening size of 105×105mm. Remove and discard the temporary cover

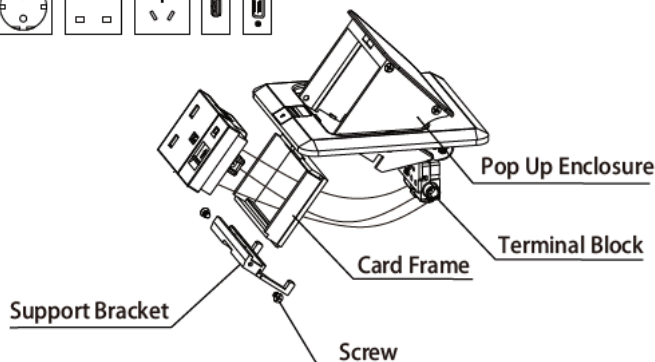


Step 4: Installing the panel

Install the appropriate wires to the designated terminals of the modules and snap the modules into the corresponding frame. Secure the cover panel into the base box using the mounting screws. The panel should be installed level with the floor.

Operation Manual

Type 45 module*

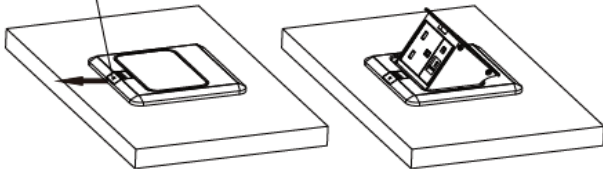


Replacing modules

Unscrew the support bracket on the pop-up enclosure and remove the card frame. Loosen the terminal screws and detach the wires from the module. Remove the module from the card frame and replace it with a new desired module. Connect the wiring to the terminals of the new module. Finally, slide the card frame into the pop-up enclosure and fix the support bracket by tightening the screws.

**Specifications are subject to change without notice based on technical recommendations and related product enhancements*

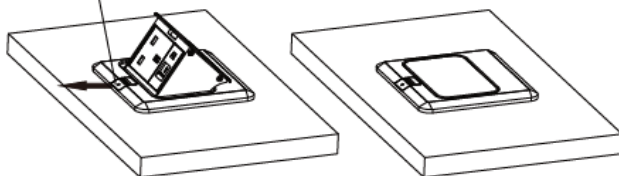
Button



Opening the Pop-up lid

Press and pull the button until the outlet lid reaches its maximum position. If using the soft pop-up mechanism, the lid will open slowly. Failure to hold the button will result in the latch sliding back to the locked position hindering the lid from opening before it is in a fully open position.

Button



Closing the Pop-up lid

To close the lid press and pull the button while simultaneously closing the lid.

**Specifications are subject to change without notice based on technical recommendations and related product enhancements*